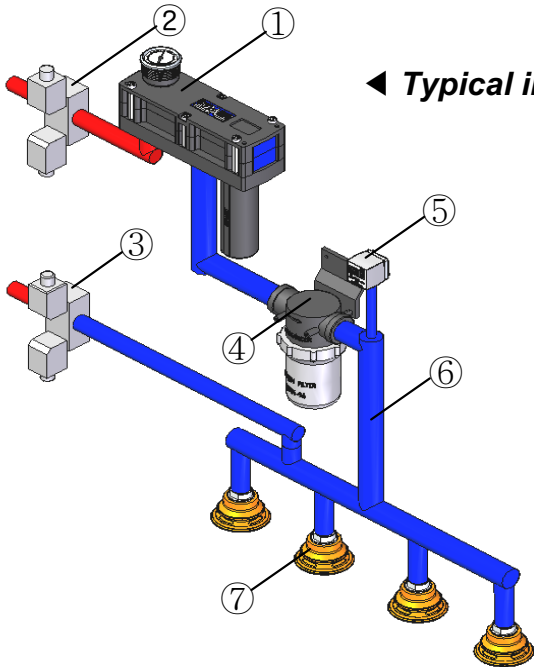


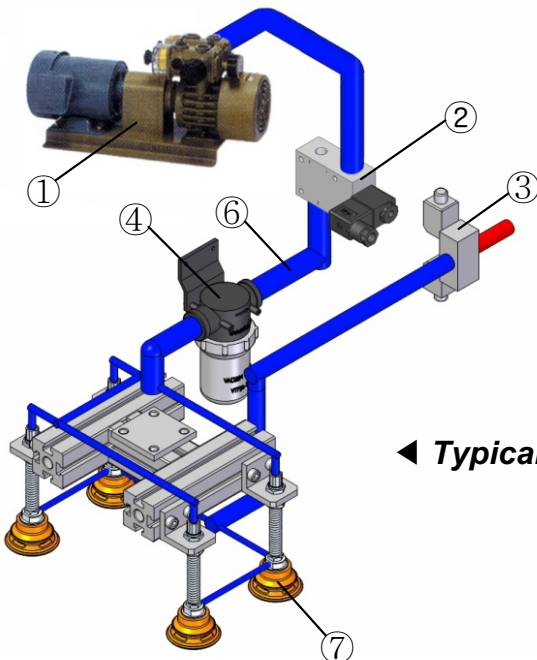
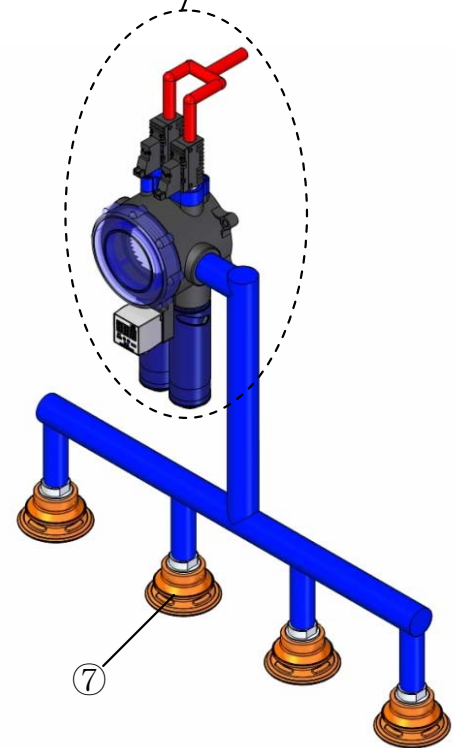
Vacuum Pump **NEW**

The VTEC Turtle Pump offers the convenience of a complete yet compact system.



▼ **New solution with VTEC Turtle Pump**

①+ ②+ ③+ ④+ ⑤+ ⑥



- ① Vacuum pump
- ② Air control valve
- ③ Vacuum release control valve
- ④ Vacuum filter
- ⑤ Digital vacuum switch
- ⑥ Main vacuum pipe line
- ⑦ Vacuum pad